

INVOLIGHT

LED Moon Flower 12*3W



NL70

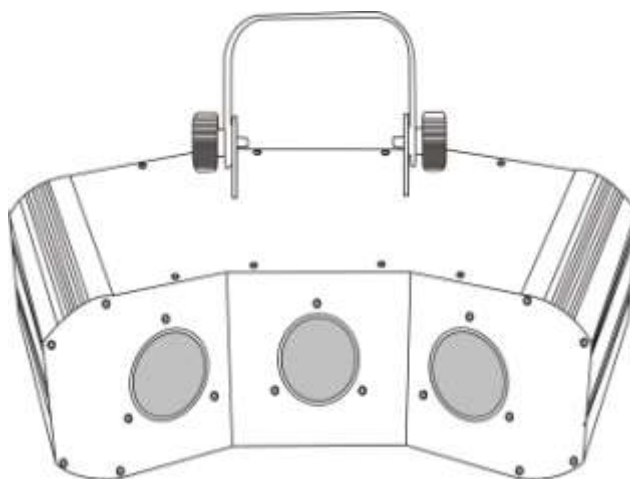
USER MANUAL

LED Moon Flower 12*3W

Our LED Moon Flower light offers many wonderful effects which are very magic. It is designed for professional places, such as stages, disco, night clubs etc. Please read the manual before operation.

A. SPECIFICATION

1. Power input: 110V-240V, 50Hz/60Hz
2. Wattage: 36W
3. LEDs: 12*3W LEDs (R: 3, G: 3, B: 3 W: 3) RGBW
4. Control feature: Built-in Program, DMX Mode, Auto Run, M/S Mode, and Sound Active
5. DMX channels: 3 CH
6. Operation mode: LED display
7. Weight: 4.2 kgs
8. Size: 56.52*27.63*17.82 cm



B. OPERATION

This series of product has rich effect programs, easier operation, there are five working modes:

- Auto running
- DMX mode
- Built-in programs
- Master/slave mode
- Sound active

1. Auto Running

- 1) Press the “MODE”, enter the auto running mode “AUTO”.
- 2) Press the “SETUP”, enter the menu to set up the running time “n×××”.
- 3) Press the “UP” or “DOWN” to set up the times from n001~n100.
- 4) Press the “SETUP”, enter the speed menu of the auto running mode “SP××”.
- 5) Press the “UP” or “DOWN” set up the speed value SP01 ~ SPFL(SP100).
- 6) Press the “SETUP”, enter the flash menu of the auto running “FS××”.
- 7) Press the “UP” or “DOWN” set up the flash value F500 ~ F599.

2. DMX Mode

- 1) Press the “MODE”, enter the DMX mode “d×××”.
- 2) Press the “UP” or “DOWN”, set up the DMX address value **d001~d512**.
- 3) Press the “SETUP”, enter the DMX working mode 3CH.

DMX Agreement :

CH1			CH2	CH3
NO.	DMX value	LEDs Programs	LEDs running speed	LEDs flash frequency
1	0	OFF	NO USE	NO USE
2	1--10	PROGRAM01	SPEED 0--255	FLASH 0--255
3	11--21	PROGRAM02		
4	22--32	PROGRAM03		
5	33--43	PROGRAM04		
6	44--54	PROGRAM05		
7	55--65	PROGRAM06		
8	66--76	PROGRAM07		
9	77--87	PROGRAM08		
10	88--98	PROGRAM09		
11	99--109	PROGRAM10		
12	110--120	PROGRAM11		
13	121--131	PROGRAM12		
14	132--142	PROGRAM13		
15	143--153	PROGRAM14		
25	154--255	Sound Mode		

3. Built-in Programs

- 1) Press the “MODE”, enter the built-in program mode “Pr××”.
- 2) Press the “UP” or “DOWN” to choose the effect program **Pr01 ~ Pr14**.
- 3) Press the “SETUP” enter the speed menu of the program “SP××”.
- 4) Press the “UP” or “DOWN” to set up the speed value **SP01 ~ SPFL**(SP100)
- 5) Press the “SETUP” enters the flash menu of the program “FS××”.
- 6) Press the “UP” or “DOWN” to set up the flash value **FS00 ~ FS99**.

4. Slave Mode

Press the “MODE”, enter the slave mode “SLAV”.

5. Sound Active Mode

- 1) Press the “MODE” enter the sound active mode “SoUn”.
- 2) Press the “SETUP” enter sound sensitivity menu “So××”.
- 3) Press the “UP” or “DOWN” to set up sound sensitivity value from So00~So31.

C. TURN ON /OFF LED DISPLAY

1. Press the “MODE” enters the turn on or off the LED display mode “LED”.
2. Press the “SETUP” enters the LED display turn on or off.
3. Press the “UP” or “DOWN”, set up the LED display stay on or off.

Remarks: when it is on, the LED display will light up all the way. When it is off, the LED display will turn off after 20 seconds.

D. LED INVERSION DISPLAY

1. Press the “MODE”, enter the mode of the LED inversion display menu “DISP”.
2. Press the “SETUP” to choose the LED standard display “DISP” or inversion display “dSIP”

E. VERSION DISPLAY

1. Press the “MODE” to enter the menu of the version display.
2. Press the “SETUP”, it will shows the version No. as V10.